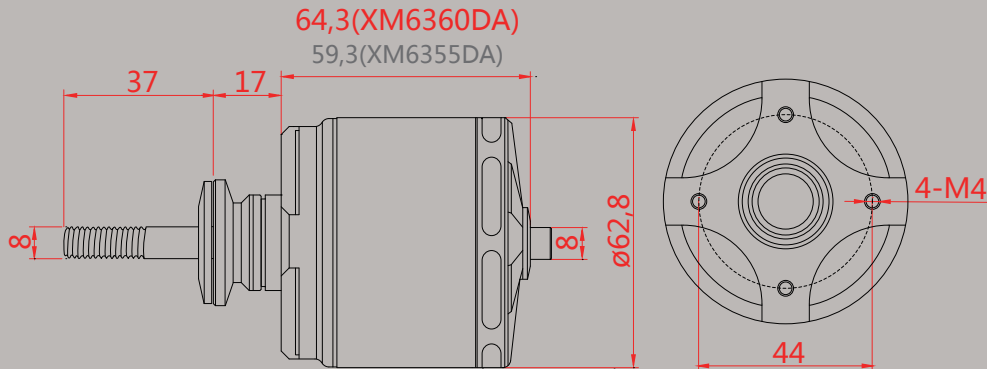


Dimensions

XM6360DA



Specification

Xmotor DA Competition Series	XM6360DA-9	XM6360DA-10	XM6360DA-11	XM6360DA-12
Item NO. (商品编码)	57637	57608	57630	57634
RPM/V(KV) (KV值)	242	218	199	182
Stator Diameter(mm) (定子直径)	53	53	53	53
Magnet length(mm) (磁铁长度)	30	30	30	30
Shaft Dimension(mm) (出轴规格)	37/M8	37/M8	37/M8	37/M8
Mounting holes pitch(mm) (安装孔距)	44/44	44/44	44/44	44/44
Weight(g) (重量)	655	655	650	642
Resistance(Ri)(mOhm) (电阻)	20	24	28	34
Idle Current(A)(Io) @10V (空载电流)	1.5	1.4	1.1	0.95
No.of Cells(LiPo) (电池节数)	10	10	10	12
Max. Efficiency Current(A) (最大电流效率)	52	50	48	45
Max. Cruising Power(W) (最大巡航功率)	1872	1800	1728	1944
Max. Burst Current(A) (15s) (瞬间电流)	104	100	96	90
Max. Power(W)(15s) (峰值功率)	3744	3600	3456	3888
Aerobatic Models(kg) (适合的特技机重量)	9.4	9.0	8.6	9.7
Extreme 3D Models(kg) (适合的3D机重量)	6.2	6.0	5.8	6.5
Recommended ESC (推荐调速器)	XC10036HV	XC10036HV	XC10036HV	XC10036HV
Prop. Range (桨范围)	20x13 CP	20x13...22x12	21x14	Up to 22x12 gasoline propeller
App. Class (适用范围)	F3A plane	F3A plane	F3A plane & 35CC gasoline Model	