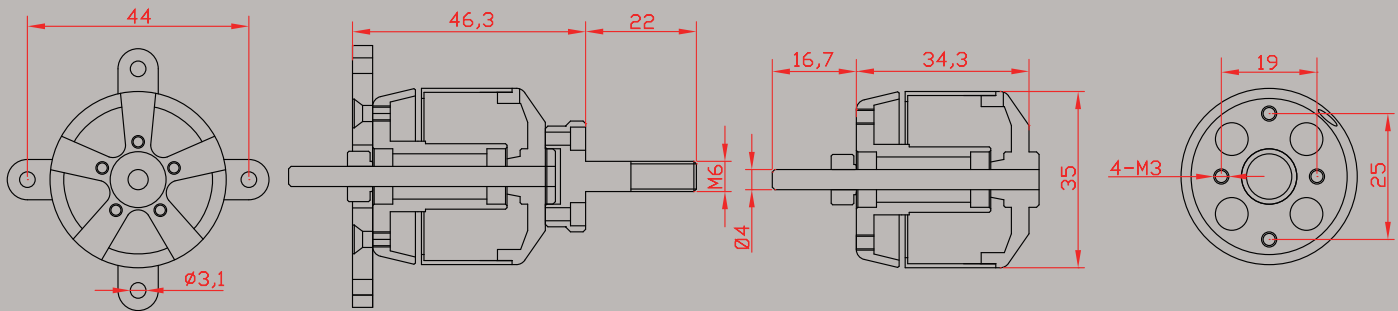


## Dimensions



## Specification

Dualsky Xmotor CA2 Series	XM3536CA			
Item No.(商品编码)	55125	55325	55126	55127
Model - Turns(马达转速)	XM3536CA-6	XM3536CA-7	XM3536CA-8	XM3536CA-9
RPM/V(KV)(KV值)	1330	1200	990	890
Stator Diameter(定子直径)	28	28	28	28
Magnet length(磁铁长度)	14	14	14	14
Shaft diameter(轴径)	4	4	4	4
Mountingholes pitch(安装孔距)	19/25	19/25	19/25	19/25
Weight(g)(重量)	103	103	103	103
Resistance(Ri)(mOhm)(电阻)	31	37	46	57
Idle Current(Io) @10V (A)(空载电流)	1.95	1.60	1.27	1.05
No.of Cells(LiPo)(电池节数)	2..3	2..3	2..3	3..4
Max. EfficiencyCurrent[A](效率电流)	25	23	21	20
Max. Burst Current (15s)[A](最大电流)	35	32	32	30
Max. Power(15s)(最大功率)	350W	350W	350W	350W
Input Connectors[mm](金插)	DB3	DB3	DB3	DB3
Recommended ESC(推荐调速器)	XC3012BA	XC3012BA	XC3012BA	XC3012BA
Prop. Range(螺旋桨)	8x5...10x6	10x5...13x6	10x5...13x6	10x5...13x6
App. Class(适用机种)	.10-.15 Class			